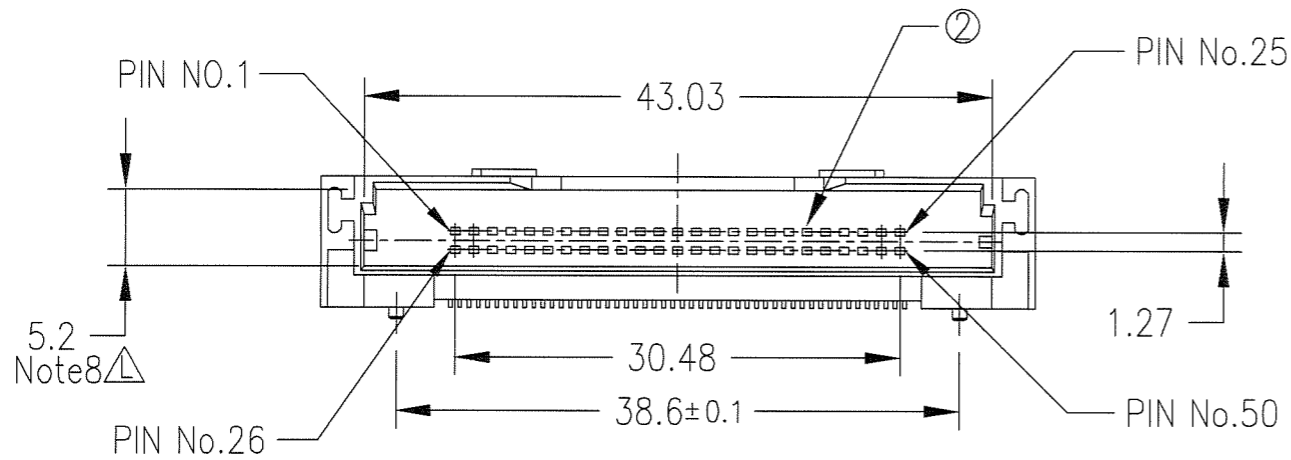
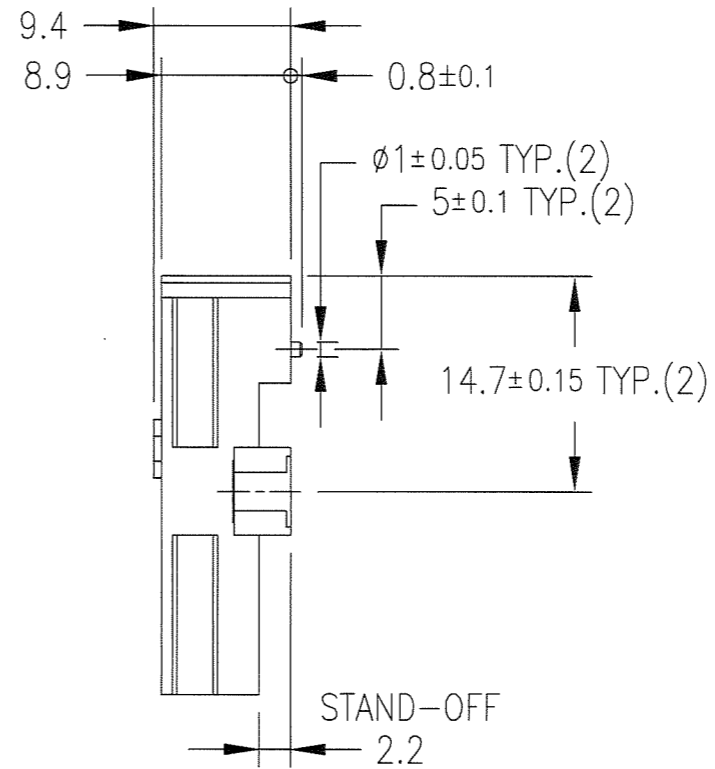
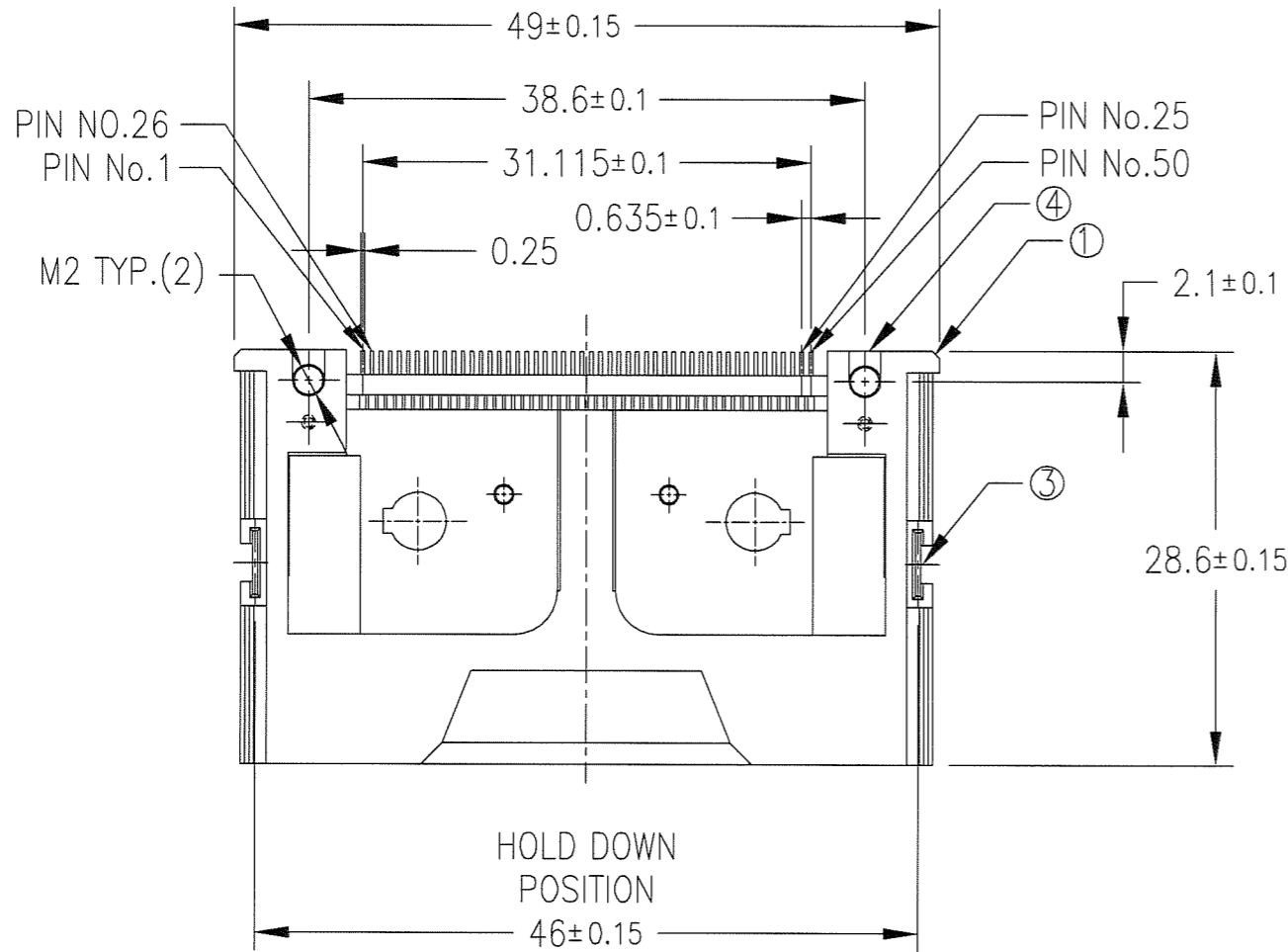


PRODUCT NO.	REMARKS
62453-022LF	WITH METAL PLATE(M2 SCREWS)

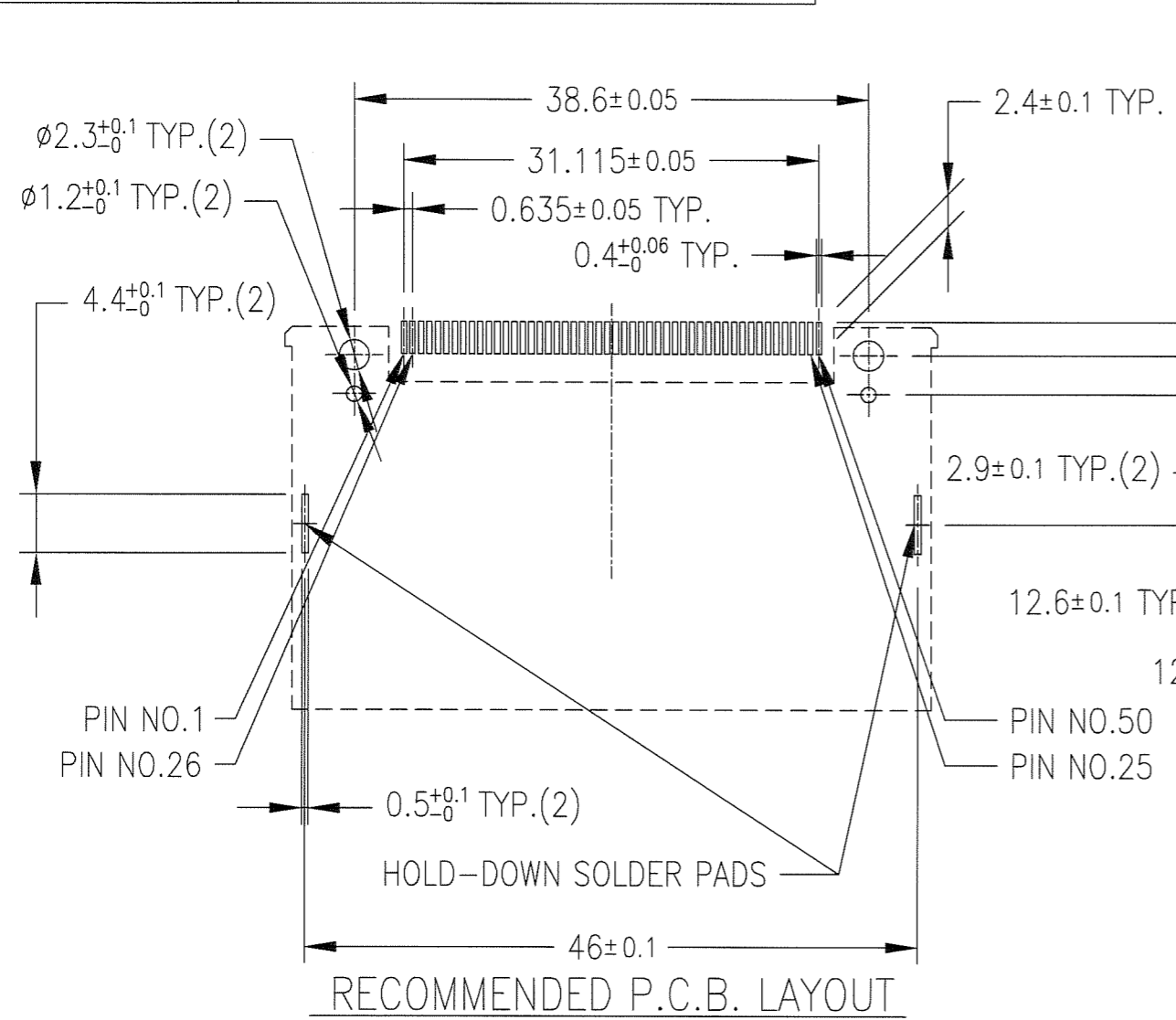


COMPONENT	MATERIAL	FINISH	QTY.
① HOUSING	FLAME RETARDANT RESIN	NONE (BLACK)	1
② PIN	PHOSPHOR BRONZE	UNDER : 1.0µm MIN. Ni CONTACT AREA : 0.2µm MIN. Au SOLDER TAIL : 0.05µm MIN. Au	50
③ HOLD DOWN	PHOSPHOR BRONZE	UNDER : 1.27µm MIN. Ni SOLDER TAIL : 2.0µm MIN. Sn	2
④ METAL PLATE	BRASS	2µm MIN. Ni	2

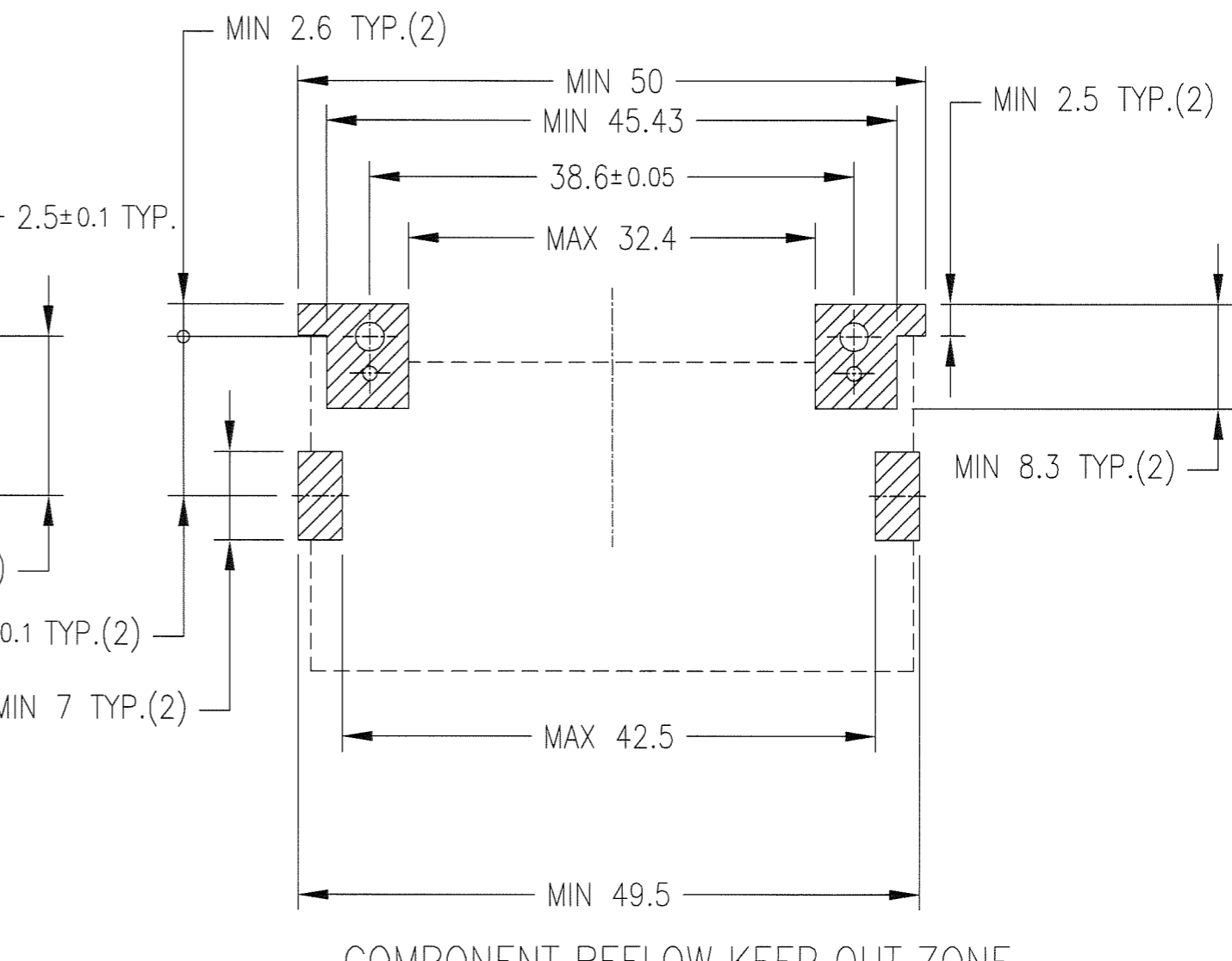
mat'l. code				surface		tolerance		projection		product family		CODE	
---				ISO 1302		ISO 406 ISO 1101		mm		5AZF - CF HEADER		JP	
title				tolerances unless otherwise specified		linear		scale 2:1		COMPACT FLASH HDR TOP MOUNT			
F ADDED SHEET 5,6				J04-0061		HS		2/18/04		dwg no		sheet 1 of 8	size
G ADDED SHEET 7,8				J05-0357		M.H		6/16/05		62453		A3	
H REVISED				J05-0748		R.S		10/31/05		type		Product Customer Drawing	
J REVISED				J06-0315		R.S		8/1/'06		S.WATANABE		7/28/08	
K REVISED				J06-0399		R.S		10/20/'06		S.WATANABE		7/28/08	
L REVISED				J08-0316		S.W		7/28/'08		chr		2008-7-29	
sheet index				revision sheet		L		J		E		E	
1				2		3		4		5		6	
2				3		4		5		6		7	
3				4		5		6		7		8	
4				5		6		7		8		9	
5				6		7		8		9		10	
6				7		8		9		10		11	
7				8		9		10		11		12	
8				9		10		11		12		13	
9				10		11		12		13		14	
10				11		12		13		14		15	
11				12		13		14		15		16	
12				13		14		15		16		17	
13				14		15		16		17		18	
14				15		16		17		18		19	
15				16		17		18		19		20	
16				17		18		19		20		21	
17				18		19		20		21		22	
18				19		20		21		22		23	
19				20		21		22		23		24	
20				21		22		23		24		25	
21				22		23		24		25		26	
22				23		24		25		26		27	
23				24		25		26		27		28	
24				25		26		27		28		29	
25				26		27		28		29		30	
26				27		28		29		30		31	
27				28		29		30		31		32	
28				29		30		31		32		33	
29				30		31		32		33		34	
30				31		32		33		34		35	
31				32		33		34		35		36	
32				33		34		35		36		37	
33				34		35		36		37		38	
34				35		36		37		38		39	
35				36		37		38		39		40	
36				37		38		39		40		41	
37				38		39		40		41		42	
38				39		40		41		42		43	
39				40		41		42		43		44	
40				41		42		43		44		45	
41				42		43		44		45		46	
42				43		44		45		46		47	
43				44		45		46		47		48	
44				45		46		47		48		49	
45				46		47		48		49		50	
46				47		48		49		50		51	
47				48		49		50		51		52	
48				49		50		51		52		53	
49				50		51		52		53		54	
50				51		52		53		54		55	
51				52		53		54		55		56	
52				53		54		55		56		57	
53				54		55		56		57		58	
54				55		56		57		58		59	
55				56		57		58		59		60	
56				57		58		59		60		61	
57				58		59		60		61		62	
58				59		60		61		62		63	
59				60		61		62		63		64	
60				61		62		63		64		65	
61				62		63		64		65		66	
62				63		64		65		66		67	
63				64		65		66		67		68	
64				65		66		67		68		69	
65				66		67		68		69		70	
66				67		68		69		70		71	
67				68		69		70		71		72	
68				69		70		71		72		73	
69				70		71		72		73		74	
70				71		72		73		74		75	
71				72		73		74		75		76	
72				73		74		75		76		77	
73				74		75		76		77		78	
74				75		76		77		78		79	
75				76		77		78		79		80	
76				77		78		79		80		81	
77				78		79		80		81		82	
78				79		80		81		82		83	
79				80		81		82		83		84	
80				81		82		83		84		85	
81				82		83		84		85		86	
82				83		84		85		86		87	
83				84		85		86		87		88	
84				85		86		87		88		89	
85				86		87		88		89		90	
86				87		88		89		90		91	
87				88		89		90		91		92	
88				89		90		91		92		93	
89				90		91		92		93		94	
90				91		92		93		94		95	
91				92		93		94		95		96	
92				93		94		95		96		97	
93				94		95		96		97		98	
94				95		96		97		98		99	
95				96		97		98		99		100	



PRODUCT NO.	REMARKS
62453-022LF	WITH METAL PLATE(M2 SCREWS)



RECOMMENDED P.C.B. LAYOUT

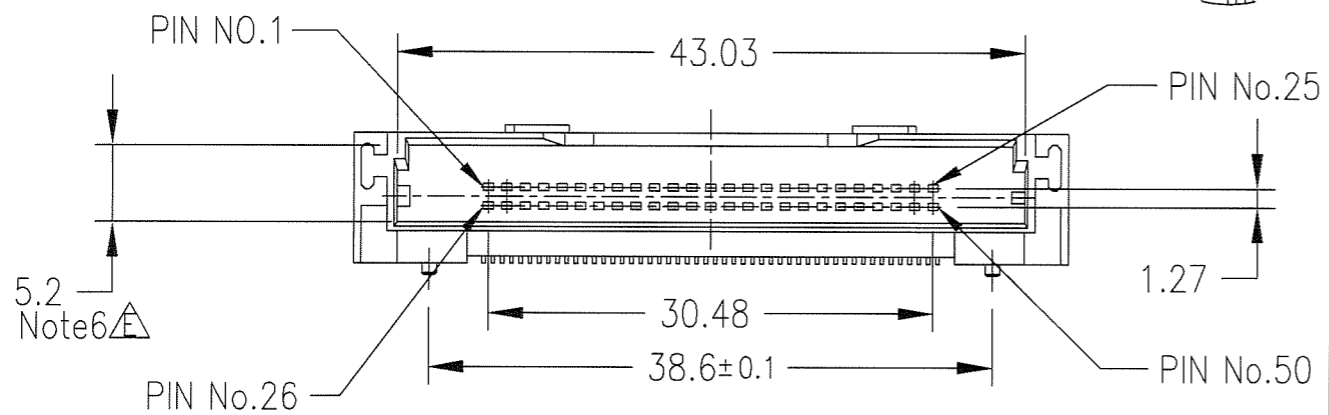
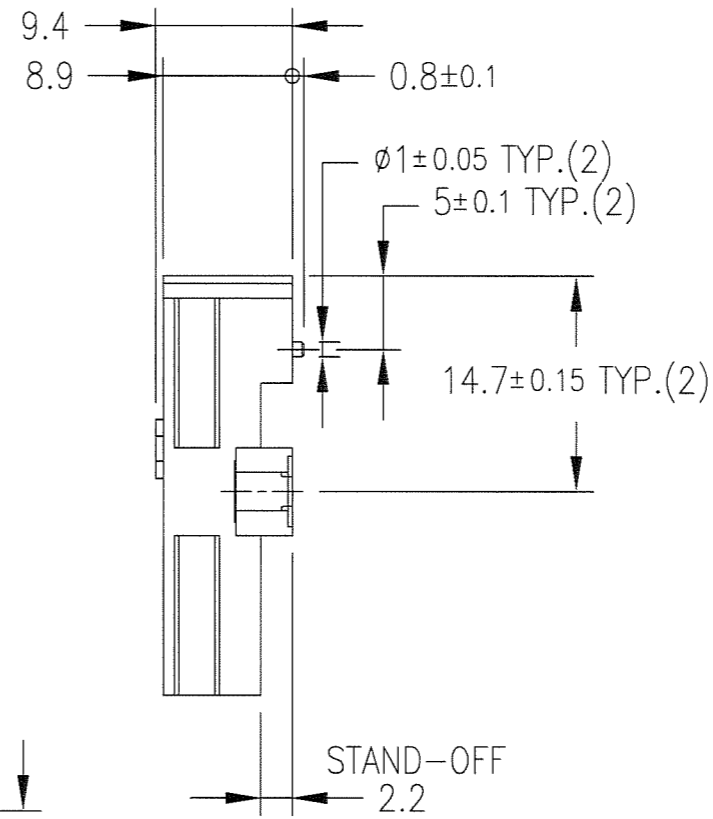
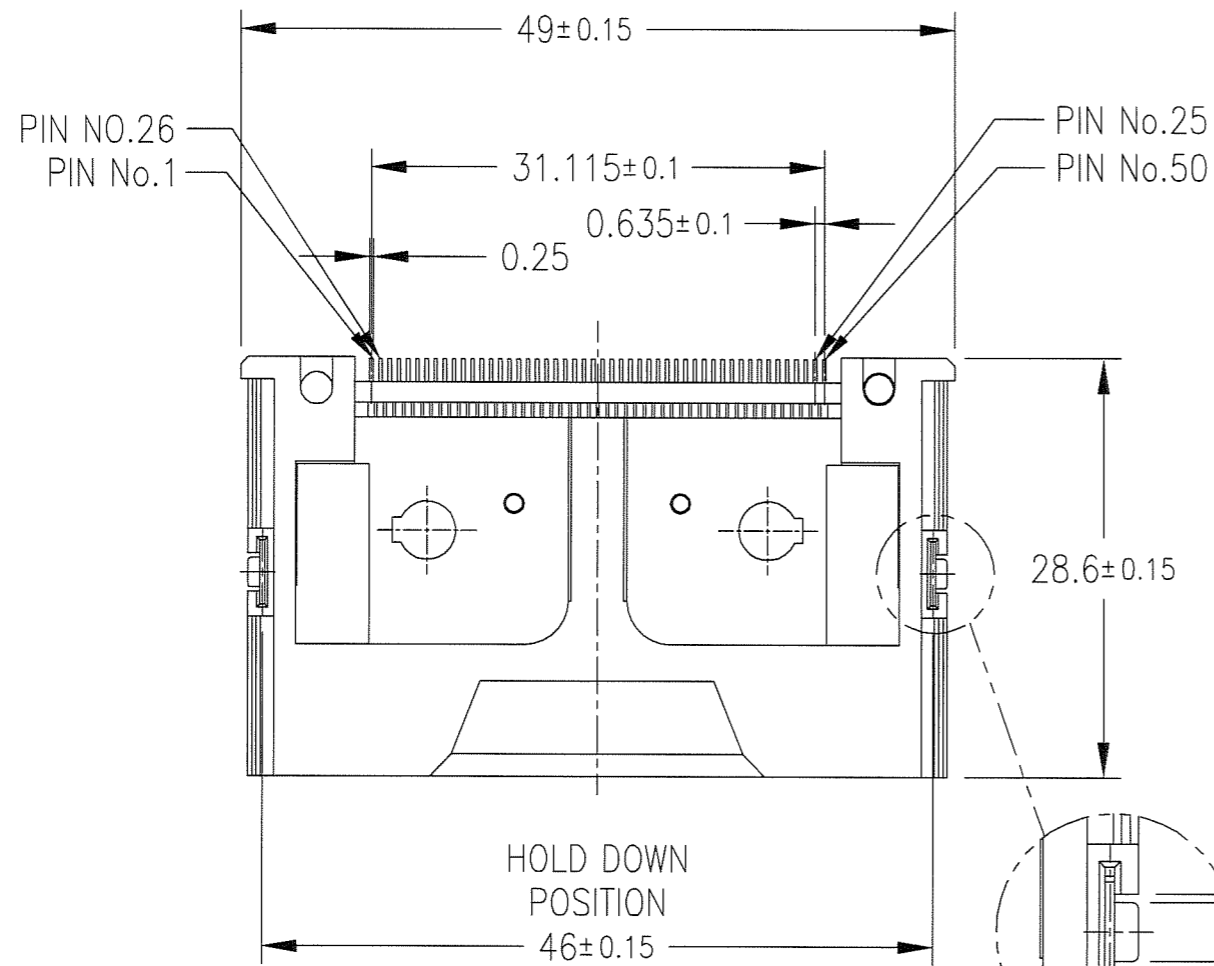


COMPONENT REFLOW KEEP OUT ZONE

- NOTE
- 1.PRODUCT SPECIFICATION : 110-404
 - 2.PACKAGING SPECIFICATION : GES-14-620
 - 3.RECOMMENDED TIGHTENING TORQUE : 0.127N.m [1.3kgf.cm]
 - 4.SOLDER TAIL CO-PLANARITY : MAX 0.1
 - 5.RECOMMENDED HOLD-DOWN SCREW
M 2mm X 6mm SCREWS
FOR 0.062in/1.57mm THICK PCB
 - 6,FOR LEAD FREE P/N, THE PRODUCT MEETS EUROPEAN UNION DIRECTIVES AND OTHER COUNTRY REGULATIONS AS DESCRIBED IN GS-22-008.
 - 7.THE HOUSING WILL WITHSTAND EXPOSURE TO 260°C PEAK TEMPERATURE FOR 10 SECONDS IN A CONVENTION, INTRA-RED OR VAPOR PHASE REFLOW OVEN.
 - 8.MEASURED AT THE BOTTOM.

mat'l. code				surface		tolerance		projection		product family		CODE
---				ISO 1302		ISO 406		mm		5AZF - CF HEADER		JP
						tolerances unless otherwise specified				title		
ltr	description	ecn no	dr	date	angles	linear	0.X	±0.3			COMPACT FLASH HDR	
D	REVISED	V20696	HS	5/15/02			0.XX	±0.3			TOP MOUNT	
E	ADDED SHEET 3,4	V20659	HS	12/25/02			0.XXX	±0.3				
F	REVISED	J05-0748	R.S	10/31/05	0'±2'				scale 2:1			
G	REVISED	J06-0315	R.S	8/1/06	dr	S.WATANABE	7/28/08		FCJ		sheet 2 of 8 size	
H	REVISED	J06-0399	R.S	10/20/06	enrg	S.WATANABE	7/28/08				62453 A3	
J	REVISED	J08-0316	S.W	7/28/08	chr	J. Budan	2008-7-29				type Product Customer Drawing	
sheet index		revision sheet										Rev.
												J

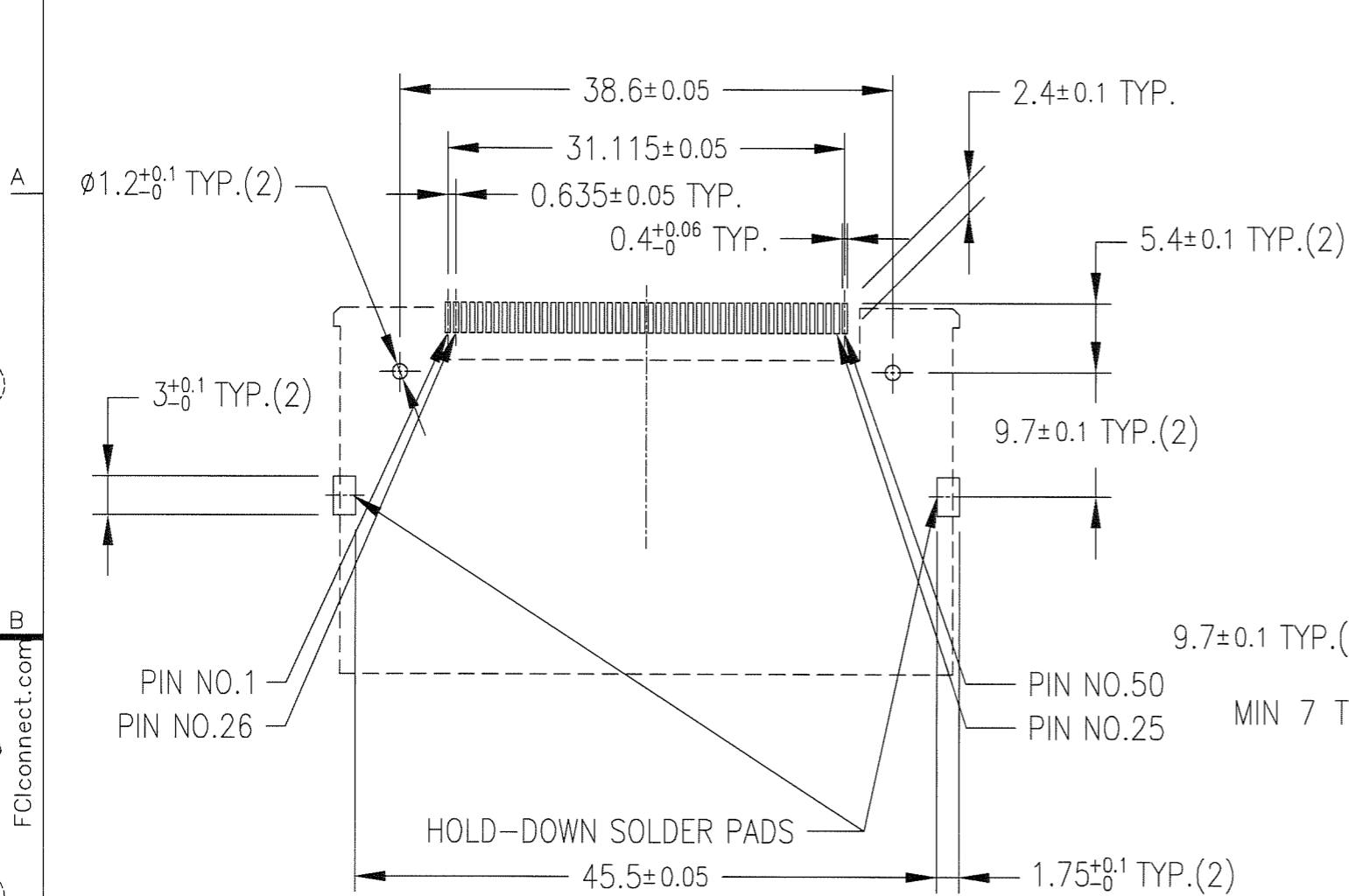
PRODUCT NO.	REMARKS
62453-122LF	WITHOUT METAL PLATE(M2 SCREWS)



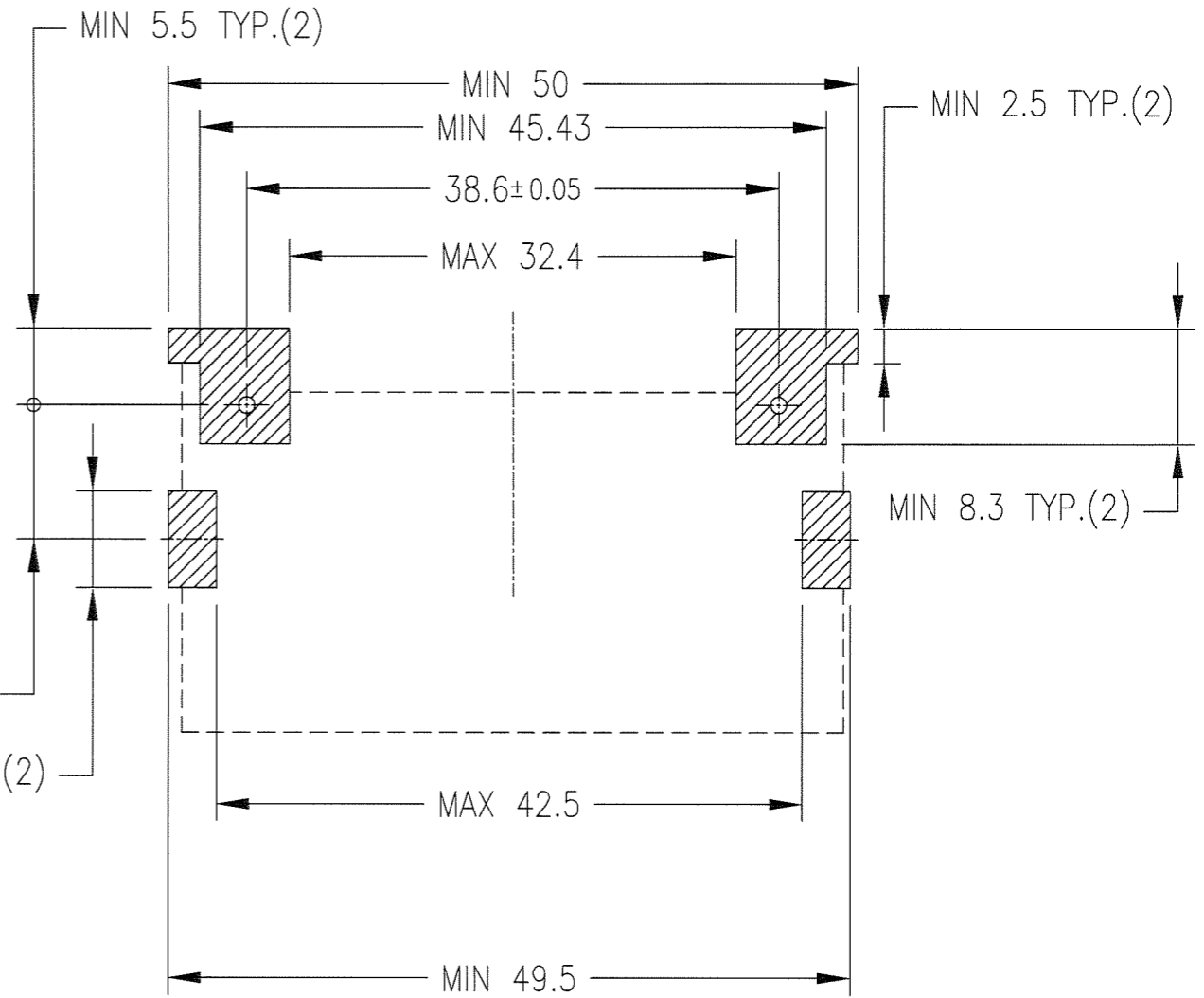
COMPONENT	MATERIAL	FINISH	QTY.
① HOUSING	FLAME RETARDANT RESIN	NONE (BLACK)	1
② PIN	PHOSPHOR BRONZE	UNDER : 1.0μm MIN. Ni CONTACT AREA : 0.2μm MIN. Au SOLDER TAIL : 0.05μm MIN. Au	50
③ HOLD DOWN	PHOSPHOR BRONZE	UNDER : 1.27μm MIN. Ni SOLDER TAIL : 2.0μm MIN. Sn	2

mat'l. code		surface		tolerance		projection		product family		CODE	
---		ISO 1302		ISO 406		mm		5AZF - CF HEADER		JP	
tolerances unless otherwise specified		angles		linear		scale 2:1		title			
A		B		C		D		COMPACT FLASH HDR			
RELEASED		REVISED		REVISED		REVISED		TOP MOUNT			
J20659		J05-0748		J06-0315		J06-0399		sheet 3 of 8		size	
HS		R.S		R.S		R.S		62453		A3	
2/18/'04		10/31/'05		8/1/'06		10/20/'06		type			
dr		enr		enr		enr		Product Customer Drawing			
S.WATANABE		S.WATANABE		S.WATANABE		S.WATANABE		Rev.			
7/28/'08		7/28/'08		7/28/'08		7/28/'08		E			
chr		chr		chr		chr					
appd		appd		appd		appd					
sheet index		revision sheet									

PRODUCT NO.	REMARKS
62453-122LF	WITHOUT METAL PLATE(M2 SCREWS)



RECOMMENDED P.C.B. LAYOUT



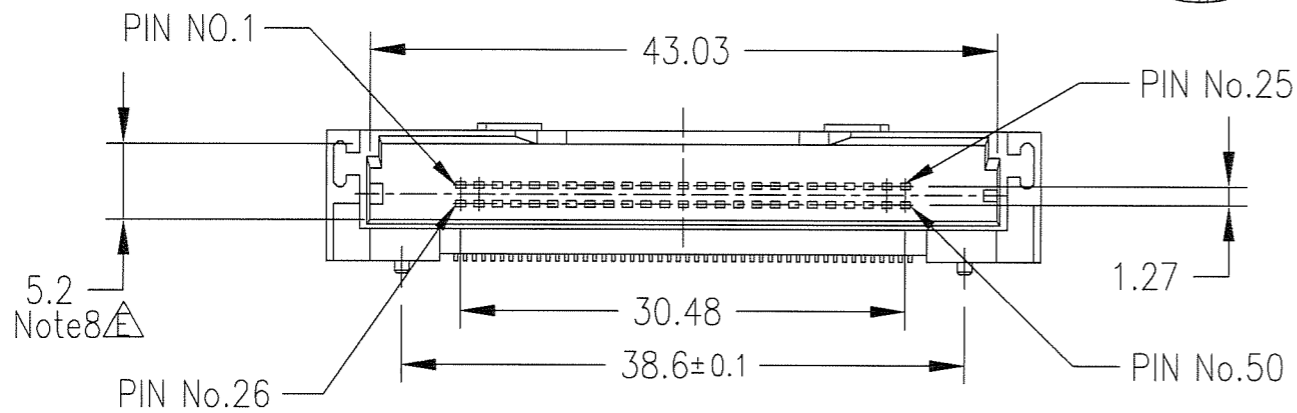
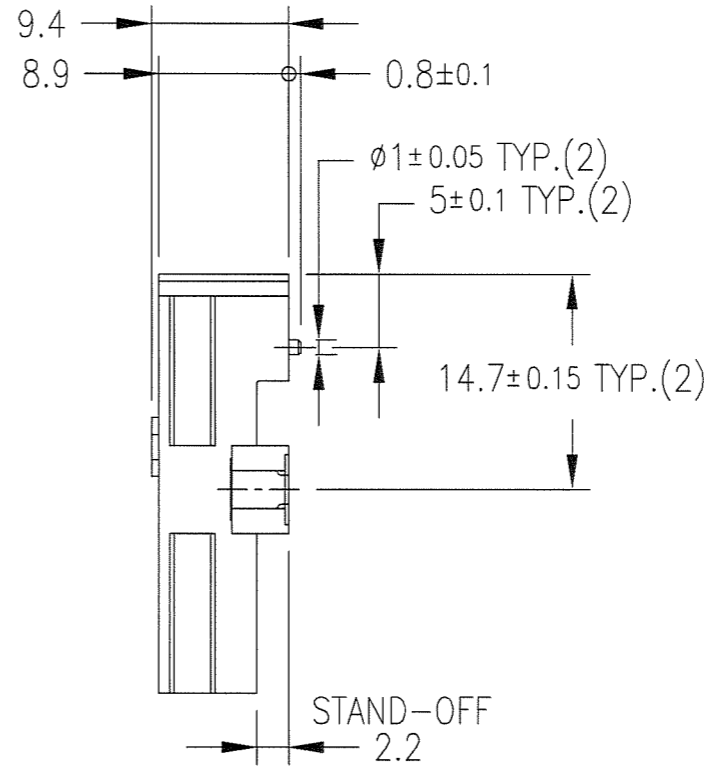
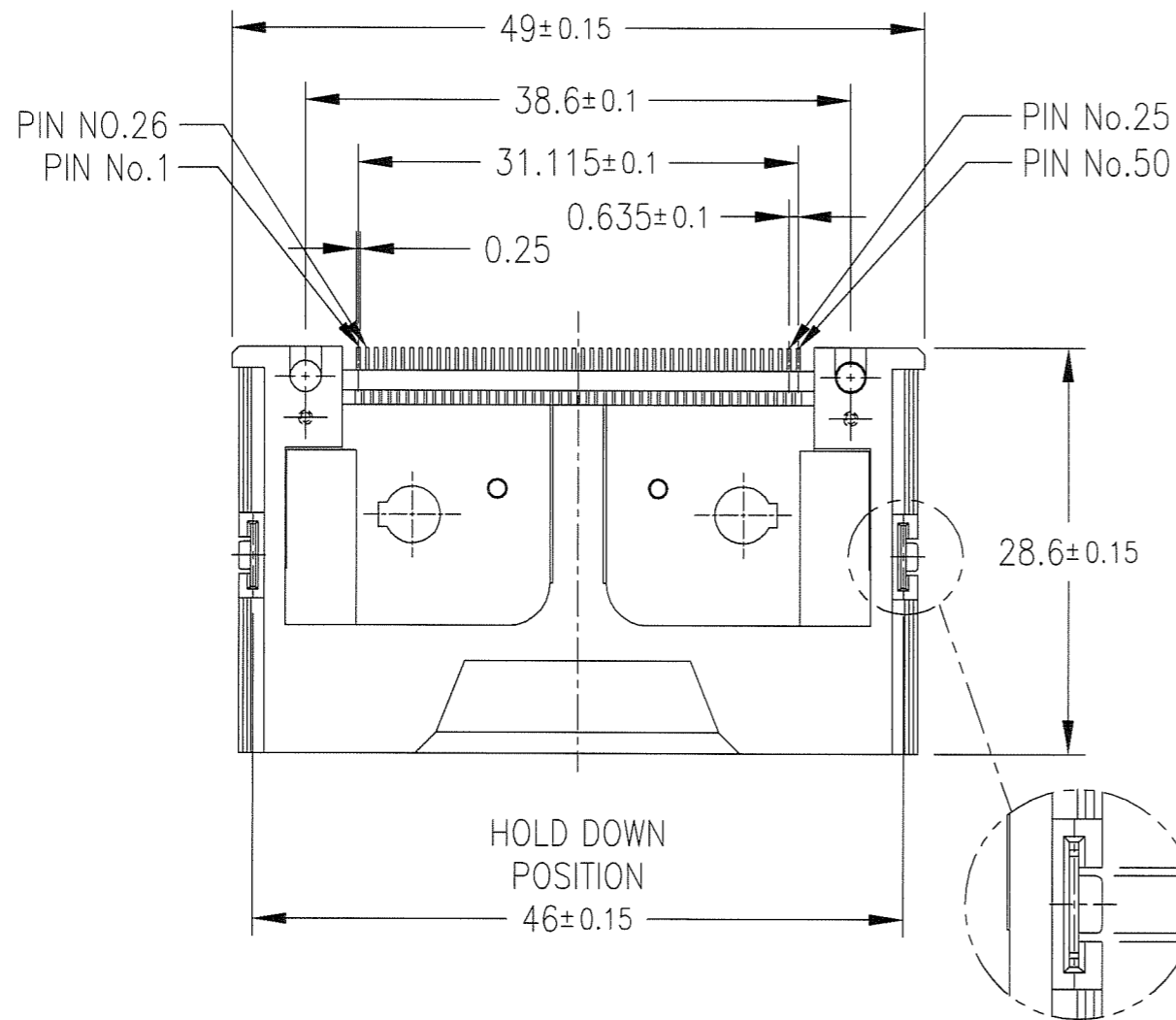
COMPONENT REFLOW KEEP OUT ZONE

NOTE

- 1.PRODUCT SPECIFICATION : 110-404
- 2.PACKAGING SPECIFICATION : GES-14-620
- 3.SOLDER TAIL CO-PLANARITY : MAX 0.1
- 4, FOR LEAD FREE P/N, THE PRODUCT MEETS EUROPEAN UNION DIRECTIVES AND OTHER COUNTRY REGULATIONS AS DESCRIBED IN GS-22-008.
5. THE HOUSING WILL WITHSTAND EXPOSURE TO 260°C PEAK TEMPERATURE FOR 10 SECONDS IN A CONVENTION, INTRA-RED OR VAPOR PHASE REFLOW OVEN.
6. MEASURED AT THE BOTTOM.

mat'l. code ---				surface ISO 1302 <input checked="" type="checkbox"/>		tolerance ISO 406 ISO 1101		projection 		product family 5AZF - CF HEADER		CODE JP
tolerances unless otherwise specified				angles		linear		mm		title COMPACT FLASH HDR TOP MOUNT		
ltr	description	ecn no	dr	date						scale 2:1		
1	RELEASED		HS	9/12/02			0.X	±0.3		sheet 4 of 8 size		
A	RELEASED	J20659	HS	12/25/02			0.XX	±0.3		62453		
B	REVISED	J05-0748	R.S	10/31/05	0'±2'		0.XXX	±0.3		A3		
C	REVISED	J06-0315	R.S	8/1/'06	dr	S.WATANABE	7/28/08			sheet 4 of 8 size		
D	REVISED	J06-0399	R.S	10/20/'06	enr	S.WATANABE	7/28/08			62453		
E	REVISED	J08-0316	S.W	7/28/'08	chr	<i>S. Watanabe</i>	2008-7-29			A3		
						appd <i>S. Watanabe</i>		2008-7-29		type Product Customer Drawing		
sheet index		revision sheet								Rev. E		

PRODUCT NO.	REMARKS
62453-222LF	WITH METAL PLATE(M2 SCREWS)



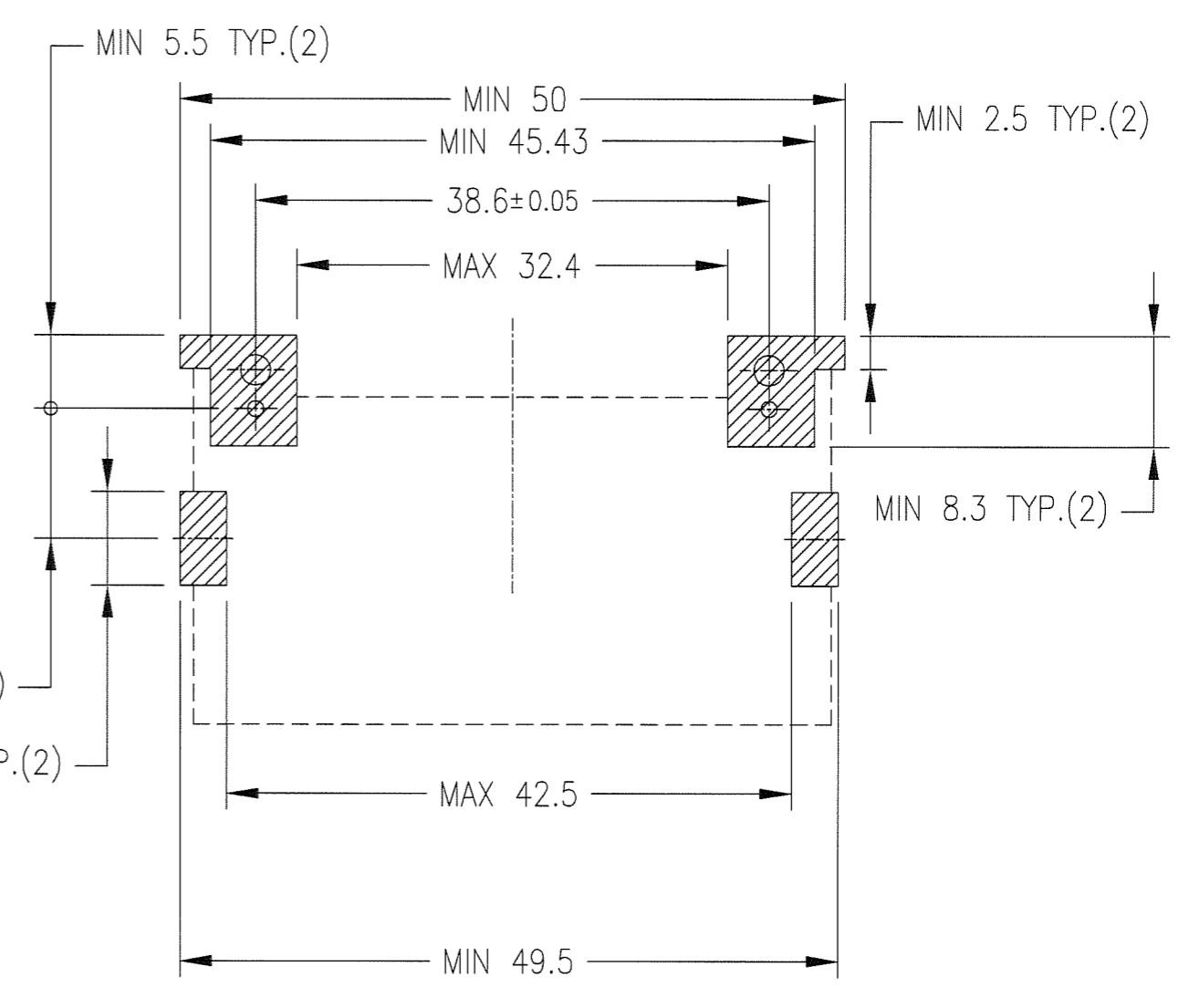
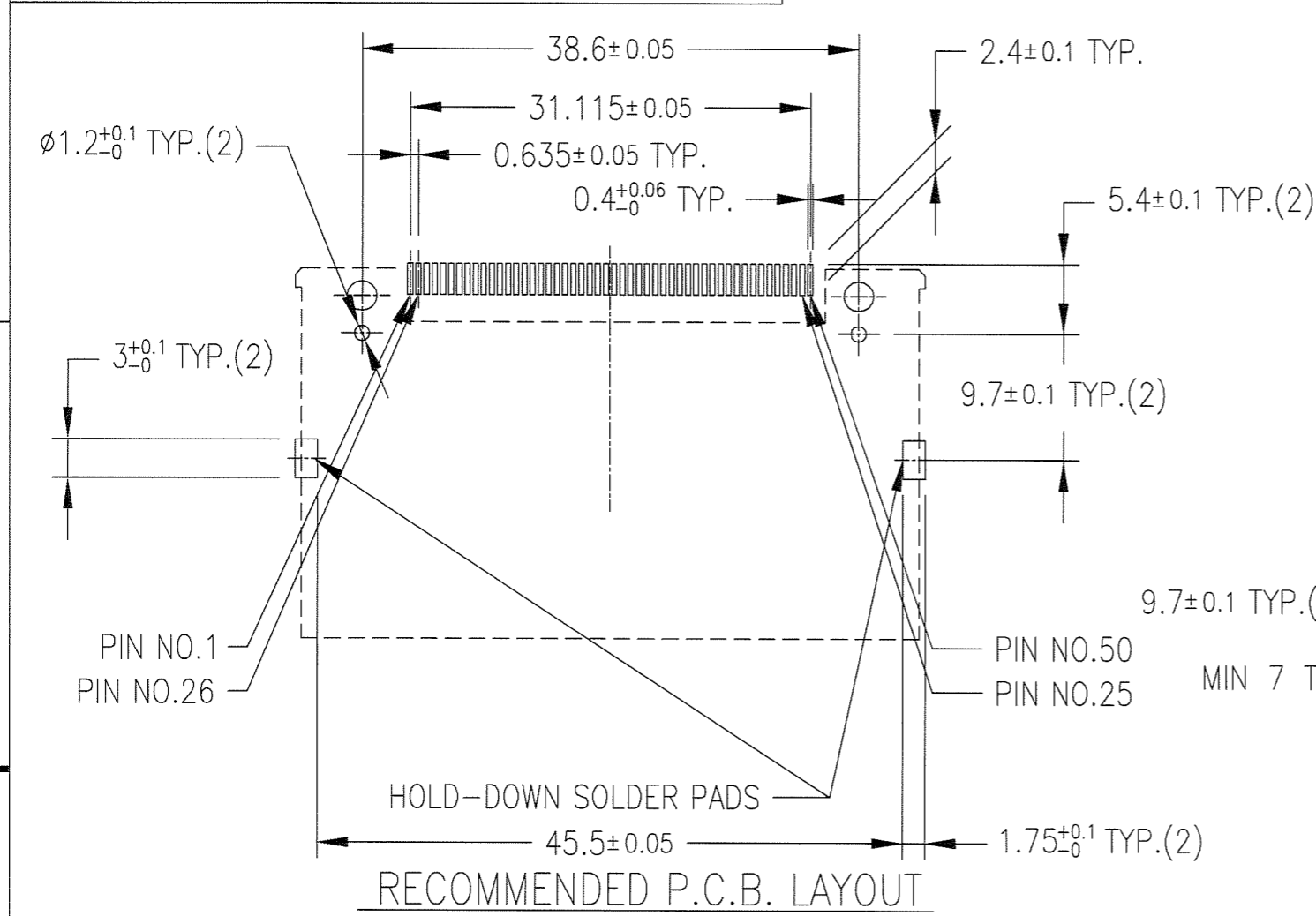
COMPONENT	MATERIAL	FINISH	QTY.
① HOUSING	FLAME RETARDANT RESIN	NONE (BLACK)	1
② PIN	PHOSPHOR BRONZE	UNDER : 1.0μm MIN. Ni CONTACT AREA : 0.2μm MIN. Au SOLDER TAIL : 0.05μm MIN. Au	50
③ HOLD DOWN	PHOSPHOR BRONZE	UNDER : 1.27μm MIN. Ni SOLDER TAIL : 2.0μm MIN. Sn	2
④ METAL PLATE	BRASS	2μm MIN. Ni	2

mat'l. code		surface		tolerance		projection		product family		CODE	
---		ISO 1302 <input checked="" type="checkbox"/>		ISO 406				5AZF - CF HEADER		JP	
				ISO 1101		mm		title			
				tolerances unless otherwise specified		scale 2:1		COMPACT FLASH HDR			
				angles				TOP MOUNT			
				linear				dwg no		sheet 5 of 8 size	
				0'±2'				62453		A3	
				0.X ±0.3				type		Product Customer Drawing	
				0.XX ±0.3				Rev.			
				0.XXX ±0.3				E			
				dr		S.WATANABE		7/28/'08			
				enr		S.WATANABE		7/28/'08			
				chr		S. Watanabe		2008-7-29			
				appd		S. Watanabe		2008-7-29			
sheet		revision									
index		sheet									



Copyright FCI

PRODUCT NO.	REMARKS
62453-222LF	WITH METAL PLATE(M2 SCREWS)



RECOMMENDED P.C.B. LAYOUT

COMPONENT REFLOW KEEP OUT ZONE

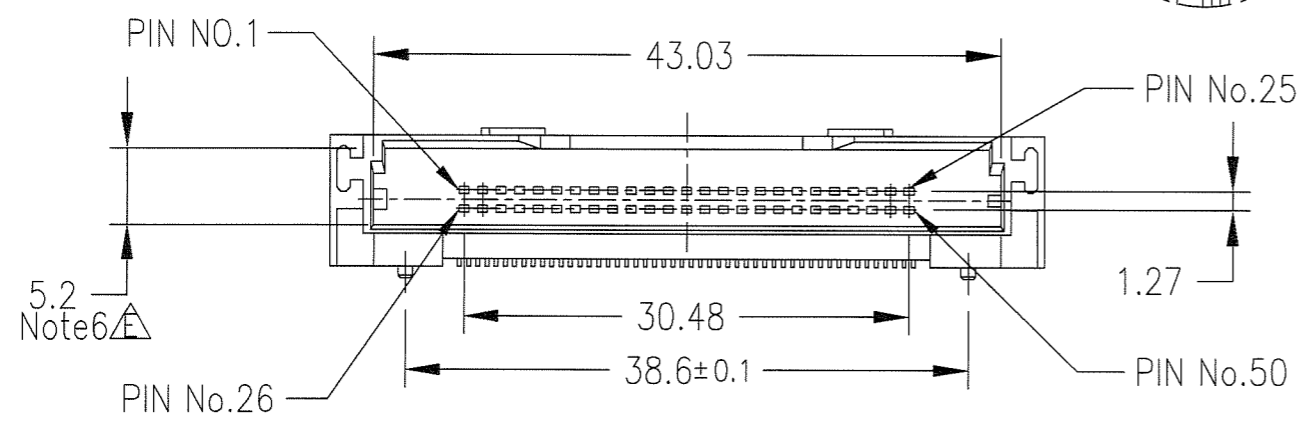
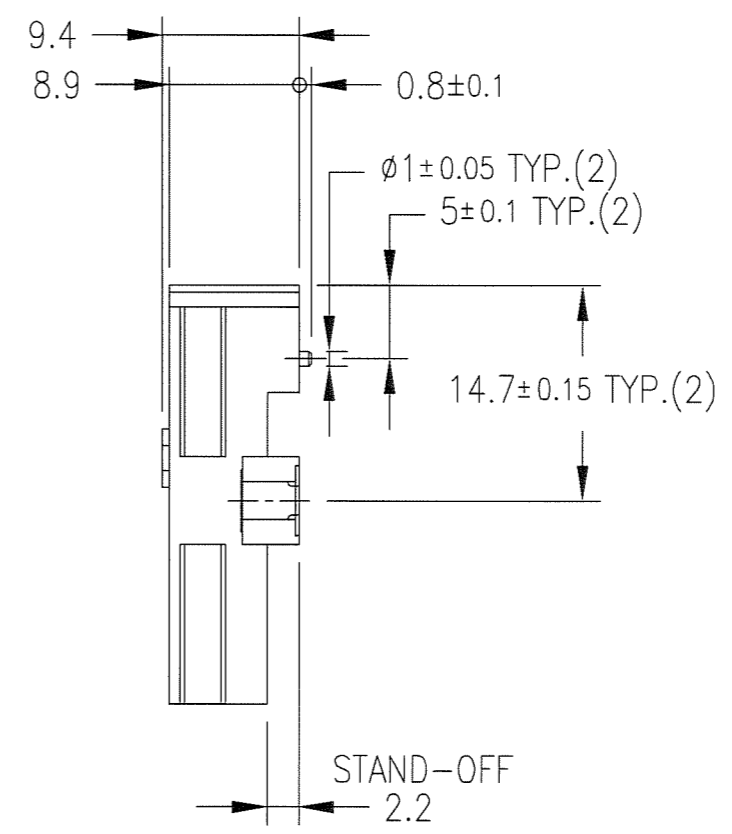
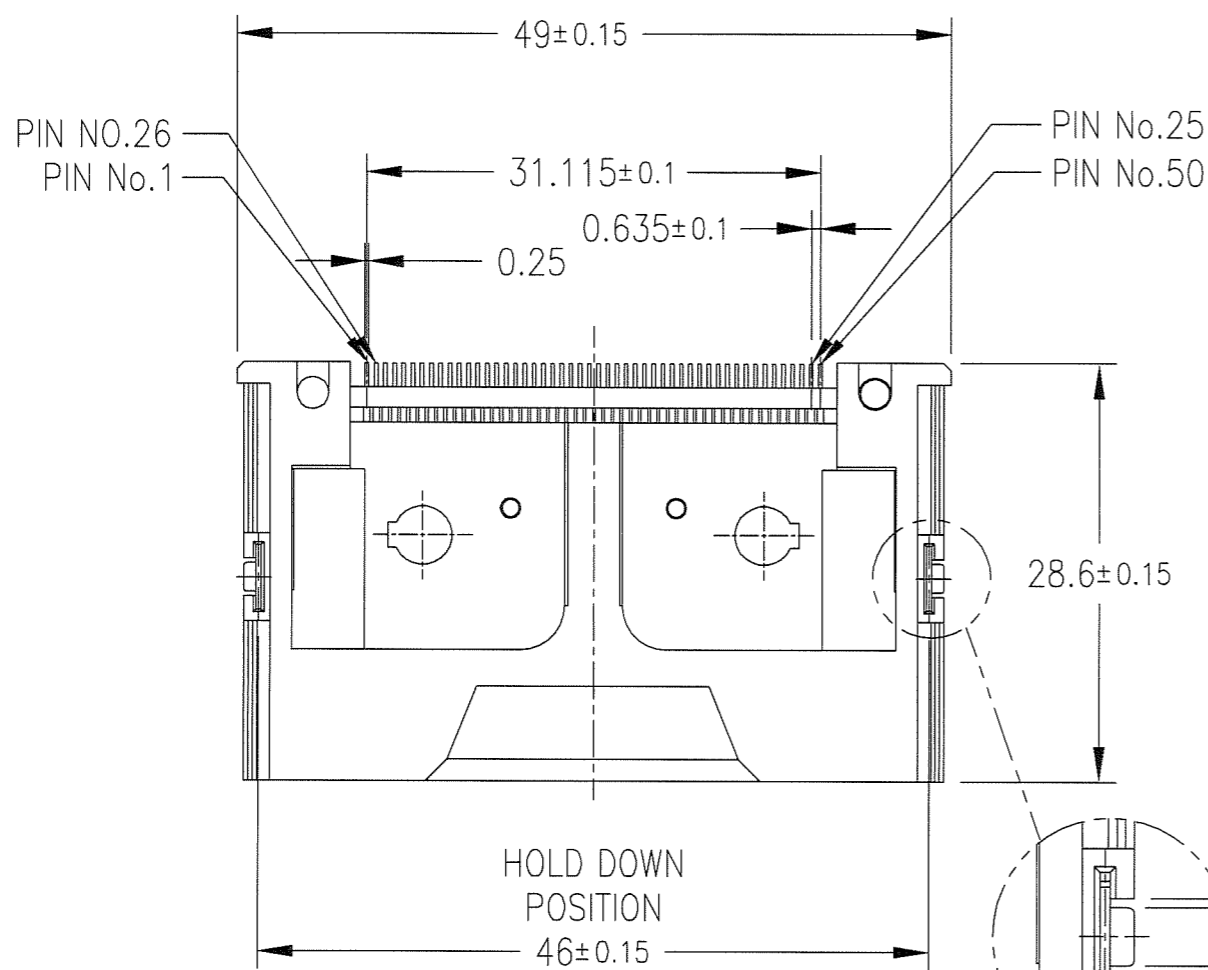
NOTE

- 1.PRODUCT SPECIFICATION : 110-404
- 2.PACKAGING SPECIFICATION : GES-14-620
- 3.RECOMMENDED TIGHTENING TORQUE : 0.127N.m [1.3kgf.cm]
- 4.SOLDER TAIL CO-PLANARITY : MAX 0.1
- 5.RECOMMENDED HOLD-DOWN SCREW
M 2mm X 6mm SCREWS(FCI P/N ; 95121-001)
FOR 0.062in/1.57mm THICK PCB
- 6,FOR LEAD FREE P/N, THE PRODUCT MEETS EUROPEAN UNION DIRECTIVES AND OTHER COUNTRY REGULATIONS AS DESCRIBED IN GS-22-008.
- 7.THE HOUSING WILL WITHSTAND EXPOSURE TO 260°C PEAK TEMPERATURE FOR 10 SECONDS IN A CONVENTION, INTRA-RED OR VAPOR PHASE REFLOW OVEN.
- 8.MEASURED AT THE BOTTOM.

mat'l. code				surface		tolerance		projection		product family		CODE
---				ISO 1302		ISO 406		mm		5AZF - CF HEADER		JP
						ISO 1101				title		
ltr	description	ecn no	dr	date	tolerances unless otherwise specified		scale 2:1		COMPACT FLASH HDR TOP MOUNT			
1	RELEASED		HS	9/12/02	angles	0.X	±0.3					
A	RELEASED	J20659	HS	12/25/02	linear	0.XX	±0.3					
B	REVISED	J05-0748	R.S	10/31/05	0'±2'	0.XXX	±0.3					
C	REVISED	J06-0315	R.S	8/1/'06	dr	S.WATANABE	7/28/'08			dwg no	sheet 6 of 8 size	
D	REVISED	J06-0399	R.S	10/20/'06	enr	S.WATANABE	7/28/'08			62453	A3	
E	REVISED	J08-0316	S.W	7/28/'08	chr					type	Product Customer Drawing	
sheet index		revision sheet								Rev. E		



PRODUCT NO.	REMARKS
62453-622LF	WITHOUT METAL PLATE(M2 SCREWS)



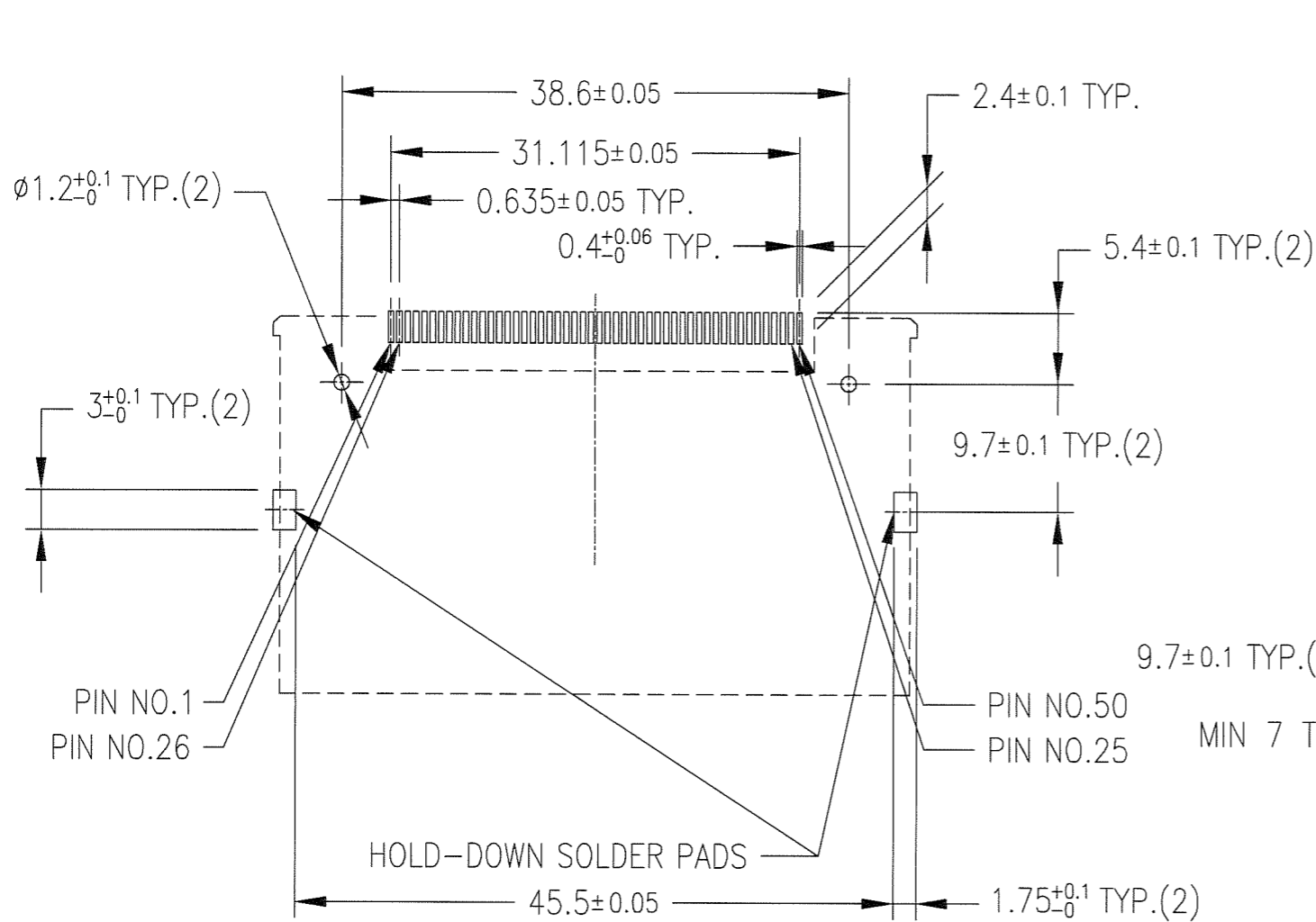
COMPONENT	MATERIAL	FINISH	QTY.
① HOUSING	FLAME RETARDANT RESIN	NONE (BLACK)	1
② PIN	PHOSPHOR BRONZE	UNDER : 1.0μm MIN. Ni CONTACT AREA : 0.76μm MIN. Au SOLDER TAIL : 0.05μm MIN. Au	50
③ HOLD DOWN	PHOSPHOR BRONZE	UNDER : 1.27μm MIN. Ni SOLDER TAIL : 2.0μm MIN. Sn	2

mat'l. code		surface		tolerance		projection		product family		CODE	
---		ISO 1302 <input checked="" type="checkbox"/>		ISO 406				5AZF - CF HEADER		JP	
				tolerances unless otherwise specified				title			
ltr	description	ecn no	dr	date	angles	linear		COMPACT FLASH HDR			
A	RELEASED	J05-0357	M.H	6/16/05		0.X	±0.3	TOP MOUNT			
B	REVISED	J05-0748	R.S	10/31/05		0.XX	±0.3				
C	REVISED	J06-0315	R.S	8/1/06	0°±2'	0.XXX	±0.3				
D	REVISED	J06-0399	R.S	10/20/06	dr	S.WATANABE	7/28/08	dwg no		sheet 7 of 8 size	
E	REVISED	J08-0316	S.W	7/28/08	enr	S.WATANABE	7/28/08	62453		A3	
						chr		type		Product Customer Drawing	
						appd				Rev.	
sheet index		revision sheet								E	

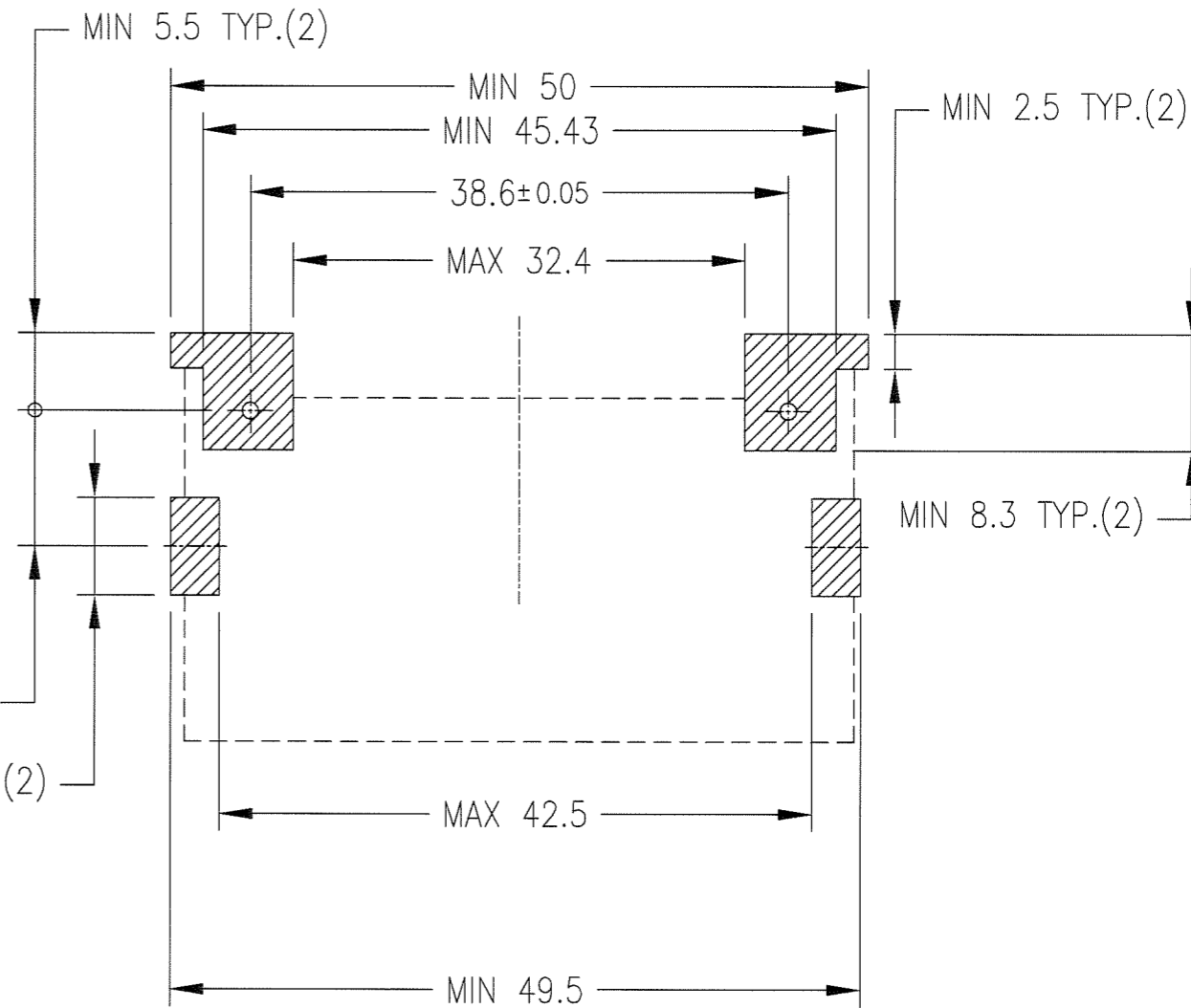


Copyright FCI

PRODUCT NO.	REMARKS
62453-622LF	WITHOUT METAL PLATE(M2 SCREWS)



RECOMMENDED P.C.B. LAYOUT



COMPONENT REFLOW KEEP OUT ZONE

NOTE

- 1.PRODUCT SPECIFICATION : 110-404
- 2.PACKAGING SPECIFICATION : GES-14-620
- 3.SOLDER TAIL CO-PLANARITY : MAX 0.1
- 4, FOR LEAD FREE P/N, THE PRODUCT MEETS EUROPEAN UNION DIRECTIVES AND OTHER COUNTRY REGULATIONS AS DESCRIBED IN GS-22-008.
5. THE HOUSING WILL WITHSTAND EXPOSURE TO 260°C PEAK TEMPERATURE FOR 10 SECONDS IN A CONVENTION, INTRA-RED OR VAPOR PHASE REFLOW OVEN.
6. MEASURED AT THE BOTTOM.

mat'l. code ---				surface ISO 1302 <input checked="" type="checkbox"/>		tolerance ISO 406 ISO 1101		projection 		product family 5AZF - CF HEADER		CODE JP
ltr	description	ecn no	dr	date	tolerances unless otherwise specified		mm		title COMPACT FLASH HDR TOP MOUNT			
A	RELEASED	J05-0357	M.H	6/16/05	angles	linear	0.X	±0.3	scale 2:1			
B	REVISED	J05-0748	R.S	10/31/05			0.XX	±0.3				
C	REVISED	J06-0315	R.S	8/1/06	0°±2'		0.XXX	±0.3	dwg no			
D	REVISED	J06-0399	R.S	10/20/06	dr	S.WATANABE	7/28/08	sheet 8 of 8		size		
E	REVISED	J08-0316	S.W	7/28/08	enr	S.WATANABE	7/28/08	62453		A3		
					chr	2008-7-29		type		Product Customer Drawing		
					appd	2008-7-29		Rev.		E		
sheet index	revision sheet											